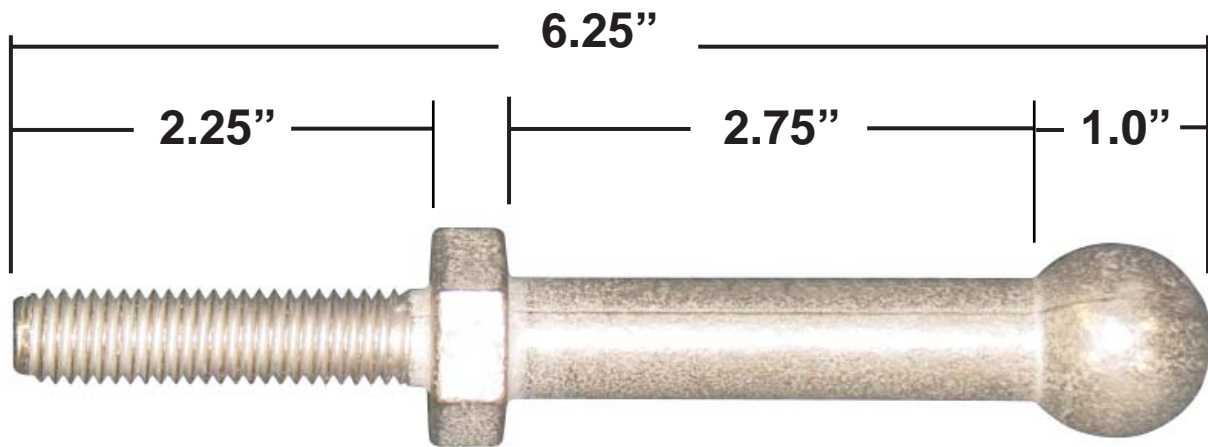




**RELIABLE
EQUIPMENT**

REL-BS-6 - LONG BALL STUD



1/2" - 13 UNC
Recommended Torque
300 in. lbs.

Shown Approx. Actual Size



NUT



LOCK WASHER

The **REL-BS-6** 6 inch Ball Stud consists of a copper alloy body with a tin plating. The 1 inch diameter Ball will allow use with a socket type clamp. "C" type and Duckbill clamps up to 2.75 inches wide may be installed directly onto the shaft.

ASTM Grade 5 Weight 0.8 lbs.

COMPARE TO:

W H SALISBURY Part # 21192
A.B. CHANCE T600-2364



**RELIABLE EQUIPMENT
& SERVICE CO., INC.**

92 Steamwhistle Drive Ivyland, PA 18974
Phone: 800-966-3530 Fax: 215-357-9193
Visit us on the web at www.Reliable-Equip.com