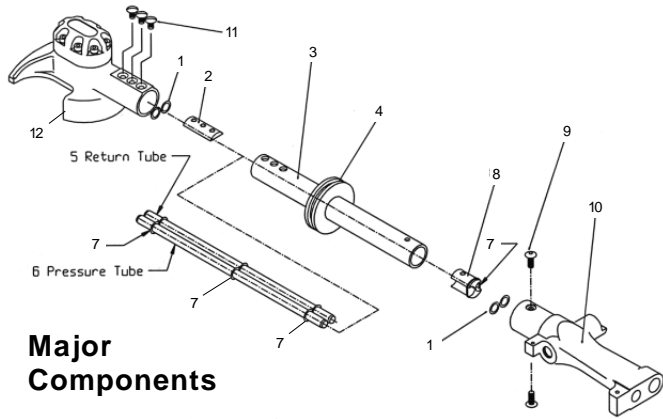


# PARTS ORDER FORM

# LONG REACH SAW LR-SERIES

COMPLETE SAW	Model	Description	Qty
★★★★★★★★	LR-___	<b>Long Reach Chain Saw</b>	



Key	Part No	Description	Qty.	Order	
1 *	13447	O-Ring, Internal	4		
2	13415	Front Tube Support	1		
3	13276S	Outer Tube	LR-88.5	1	
	13277S				LR-75
	13278S				LR-62.5
4	13422	Grommet	1		
5	13251	Return Tube	LR-88.5	1	
	13452				LR-75
	13453S				LR-62.5
6	13251P	Pressure Tube	LR-88.5	1	
	13452P				LR-75
	13453P				LR-62.5
7 *	13425	Rubber Straps (O-Ring)	4		
8	13416	Rear Tube Support	1		
9	13448	Button Head Screw	2		
10	13402	Handle Body	1		
11	13440	Oval Head Screws	3		
12	13403CM	Motor Assembly	1		
13	RL13400	Label Set	1		

**LR-88.5ASP PARTS ORDER FORM**

## RELIABLE EQUIPMENT & SERVICE CO., INC.

Company: \_\_\_\_\_

P.O. #: \_\_\_\_\_ Release # \_\_\_\_\_ Date: \_\_\_\_\_

Crew #: \_\_\_\_\_ Authorized By: \_\_\_\_\_

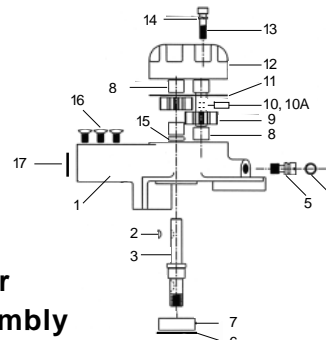
Ship To: \_\_\_\_\_

Address: \_\_\_\_\_

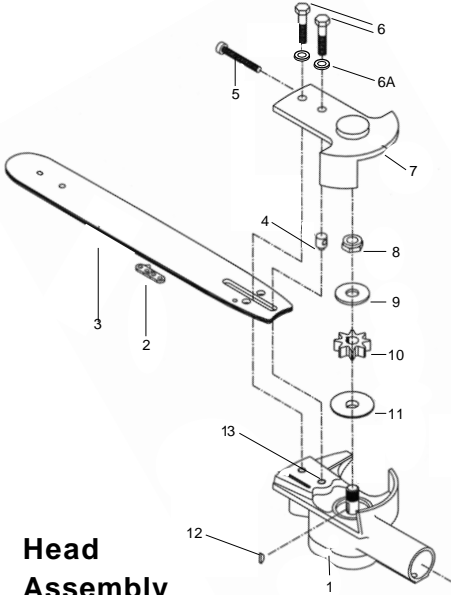
City: \_\_\_\_\_ State: \_\_\_\_\_ Zip: \_\_\_\_\_

Phone #: \_\_\_\_\_

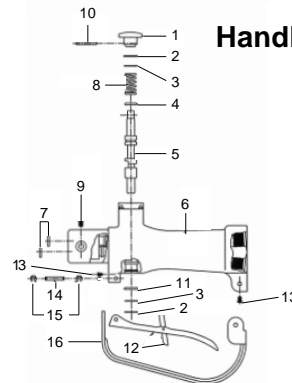
### Motor Assembly



### Head Assembly



### Handle



Key	Part No	Description	Qty.	Order
	13403CM	Motor Assembly	1	
1	13403	Motor Body	1	
2	13427	Woodruff Key	1	
3	13406	Drive Shaft	1	
4 *	13413	O-Ring (Oiler)	1	
5	13412	Lube Plug (Oiler)	1	
6	13434	Snap Ring, Bearing Ret.	1	
7	13411	Sealed Bearing	1	
8	13435	Needle Bearing	4	
9	13426	11 Tooth Gear	2	
10	13407	Idler Shaft	1	
10A	13141	Idler Shaft Pin	1	
11 *	13436	Gasket	1	
12	13405	Motor Cap W/ Bearings	1	
13	13437	Socket Cap Screw	8	
14	13438	Lock Washer	8	
15 *	13439	O-Ring	1	
16	13440	Oval Head Screws	3	
17 *	13447	O-Ring, Internal	2	
	13401	Head Assembly		
1	13403CM	Motor Assembly	1	
2	13453	Chain	1	
3	13431	Chain Bar	1	
4	13419	Chain Adjuster	1	
5	13455	Adjusting Screw	1	
6	13456	Assembly Screws	2	
6A	13449	Flat Washer	2	
7	13418	Cover	1	
8	13409	Jam Nut	1	
9	13433	Flat Washer	1	
10	13408	Sprocket	1	
11	13410	Keyed Washer	1	
12	13429	Woodruff Key	1	
13	13464	Thread Insert	2	
	13402CH	Complete Handle Assy.		
1	13421	OC/CC Knob	1	
2 *	13423	Snap Ring	2	
3 *	13424	Spool Retainer Washer	2	
4 *	13414	O-Ring	1	
5	13420	Spool	1	
6	13402	Handle Body	1	
7 *	13447	O-Ring,	2	
8	13428	Spool Spring	1	
9	13448	Screw, 1/4-20 x 3/4	2	
10	13445	Spring Pin	1	
11 *	13417	O-Ring, Internal	1	
12	13490	Trigger with safety	1	
13	13441	10-32 Screw	3	
14	13430	Trigger Pin	1	
15	13457	Snap Ring	2	
16	13432	Trigger Guard	1	
	13446	Seal Kit ( * items included )		