

OPERATORS' GUIDE



REL-2000SA

SINGLE ACTING HYDRAULIC CUTTING TOOL

WARNING



All information found in this guide must be read and understood before use or testing of this tool.

Failure to read and understand these warnings and safe handling instructions could result in severe personal injury and or death.



RELIABLE EQUIPMENT & SERVICE CO., INC.

REL-2000SA Manual 12-08

DISTRIBUTED BY



CAUTION

The information in this manual is intended to guide the user in the use and application of this tool. It is not intended as a substitute for proper training and experience in safe work practices for this type of equipment.

Consult your supervisor or safety personnel if you have any questions regarding the safe operation of this tool.

TABLE OF CONTENTS

DISTRIBUTOR INFORMATION.....	2
TABLE OF CONTENTS.....	3
REGISTRATION	3
DESCRIPTION.....	4
TOOL SPECIFICATIONS	4
SAFETY INFORMATION AND WARNINGS	5-9
DAILY MAINTENANCE	9
OPERATING INSTRUCTIONS	9
PARTS DIAGRAM	10
LABELS	10
MAINTENANCE RECORDS	11
CONTACT INFORMATION	12



THIS SYMBOL INDICATES ITEMS OF EXTREME IMPORTANCE.
Safety of user and others may be in jeopardy if these instructions are not read and understood.

REGISTRATION

UPON RECEIPT OF THIS TOOL, COMPLETE THE REGISTRATION BELOW.

COMPANY _____

ADDRESS _____

PHONE _____ FAX _____

SERIAL NUMBER _____

DATE OF PURCHASE _____

DEALER NAME _____



RELIABLE EQUIPMENT & SERVICE CO., INC.

Weight: 16.5 lb.
Length: 17.5 in.
Width: 6.5 in.

Head opens for cable insertion along the line.



REL-2000SA

DOUBLE ACTING HYDRAULIC CUTTING TOOL

This guillotine style cutter features up to a 2 inch cutting capacity, 360° rotating head, and a built-in auxiliary handle.

These cutters can be used for cutting cable, wire rope, soft steel bolts, guy strand, ground rods, anchor bolts, and rebar.

The **REL-2000SA**

2000 SERIES - MAXIMUM CONDUCTOR CAPACITY

Soft Copper Jacket	2"
Aluminum Jacket	2"
Lead Sheathed Cable	2"
Communication Cable	2"
ACSR	2"
Wire Rope	1"
Soft Steel Bolts	7/8"
Guy Strand	3/4"
Ground Rod	3/4"
Anchor Bolts	3/4"
Rebar Grade 40	3/4"

System	Double-Acting
Capacity (Jaw Opening)	2 inch.
Force @ 10,000 psi (690 bar)	28,048 lb.
Max Operating Pressure	10,000 psi (690 bar)
High Pressure Couplers	Female Screw Type



92 Steamwhistle Drive • Ivyland, PA 18974
 Phone: 800-966-3530 • Fax: 215-357-9193
 Visit us on the web at www.Reliable-Equip.com



WARNING

BEFORE USING THIS TOOL, READ THE WARNINGS and the recommended practices described in this manual. Failure by the operator to read and fully understand these warnings will leave this person unqualified to use and operate this tool. Property damage, severe personal injury, and/or death could result by not following these warnings.

These warnings will appear in appropriate locations when they are pertinent to the particular subject being shown. Read each one carefully and follow them strictly.



Eye Protection

WARNING

Always wear eye protection to avoid injury from flying debris or hydraulic oil leaks. Failure to do so can result in serious personal injury.



Skin Irritation

WARNING

Hydraulic oil may cause irritation. Use care to prevent contact with skin. In case of accidental contact, wash affected area immediately



Hard Hat

WARNING

Always wear a hard hat to avoid injury from falling debris. Failure to do so can result in serious personal injury.



Foot Protection

WARNING

Always wear foot protection. Failure to do so can result in serious personal injury.



Hearing Protection

WARNING

Always wear hearing protection, to avoid hearing loss due to long term exposure to high noise levels.



Protective Gloves

WARNING

Always wear protective gloves. Failure to do so can result in serious personal injury.



WARNING

SAFE OPERATION & CARE

USE THIS TOOL FOR ITS INTENDED PURPOSE ONLY
Any other use can result in injury or property damage.

INSPECT TOOL BEFORE USE. Replace any worn, damaged or missing parts. A damaged or improperly assembled tool may malfunction, injuring operator and/or nearby personnel.

INSPECT HYDRAULIC HOSES AND COUPLINGS before each use. Repair or replace if any cracking, leakage, wear or damage is found. Worn or damaged hoses may fail resulting in personal injury or property damage.

CLEAR WORK AREA of all bystanders and unnecessary personnel before operating this tool.

KEEP ALL PARTS OF THE BODY AWAY FROM MOVING PARTS.

Failure to observe this warning could result in serious injury.



WARNING

HYDRAULIC POWER SUPPLY

DO NOT attempt to make any changes to any of the component parts or accessories when connected to the power source.

DO NOT adjust, inspect, or clean tool while the tool is connected to the power source. The tool could accidentally start up and cause serious injury.

DO NOT lock the tool in the On Position. In an emergency, serious damage or injury could occur during the time required to stop the tool.



WARNING

OIL INJECTION INJURY

Hydraulic oil or fluid under the skin is a serious injury. Oil under pressure can penetrate the skin and may cause dismemberment or loss of life. Seek medical assistance immediately if such an injury should occur.

Always wear safety gloves, eye protection and all required safety equipment when operating or handling this tool.

DO NOT use fingers or hands to attempt to locate a leak.

DO NOT handle hoses or couplers while system is pressurized.

NEVER open or service the system before depressurizing.



WARNING

HOSES AND FITTINGS

There exists the potential for shock in using anything other than certified nonconductive hoses and hydraulic oil with dielectric properties, when using system components near energized electrical lines. Failure to recognize these conditions could cause electrocution.

Hoses and fittings used with this tool must comply with S.A.E. J1273 which covers recommended practice for selection, installation, and maintenance of hose and hose assemblies. The **correct hoses and fittings are available from your supplier.**

WARNING: Failure to comply with these warnings could result in severe bodily injury.



WARNING

UNIT/HOSE CONNECTIONS

ALWAYS DISCONNECT pump/power source and move toggle switch to **OFF** before connecting or disconnecting any components.

ALWAYS DEPRESSURIZE hydraulic system, before slowly disconnecting this unit or any of the systems components.

ALWAYS TIGHTEN couplings completely. Loose or improperly tightened couplings will not allow fluid to pass through the hose creating a blockage in the supply or return line.

ALWAYS INSPECT HOSES AND CONNECTORS before connection to tool. Replace or repair if any leakage is evident. Leakage is a sign of deterioration in component parts. Worn or leaking parts must be repaired or replaced, or tool damage or severe injury could result.



WARNING

SERIOUS BURN HAZARD

HOT SURFACES MAY CAUSE SERIOUS BURN OR INJURY

The hydraulic cylinder may be hot during and after operation.

CAUTION: HYDRAULIC FLUID MAY CAUSE SERIOUS BURNS

Never disconnect tool, hoses, or fittings while the hydraulic power source is running or if the hydraulic fluid is hot.

Failure to observe this warning could result in serious injury.

IF YOU HAVE ANY QUESTIONS REGARDING THE SAFE USE AND/OR OPERATION OF THIS TOOL, CONSULT YOUR AREA SUPERVISOR, OR CONTACT RELIABLE EQUIPMENT AT 800-966-3530



WARNING

Operation/Safety methods may vary in accordance with the working guidelines established by each utility or contractor.

For your own safety, ensure that you fully comply with all safe operation guidelines required by your employer.



WARNING

ELECTRICAL SHOCK HAZARD

Always wear and use the necessary clothing, equipment and safety practices to protect against electrical shock. Failure to follow these rules can result in serious personal injury or death.



GENERAL SAFETY



USE ALL APPROPRIATE AND APPLICABLE PERSONAL SAFETY EQUIPMENT as required by the operating company.

ALWAYS INSPECT TOOL for wear or deterioration every day. Replace all parts that show signs of wear or damage.

KEEP ALL PARTS OF THE BODY AWAY from moving parts of the tool.

KEEP HANDS OUT FROM BETWEEN FIXED AND MOVING BLADES AT TOOL HEAD.

HANDS SHOULD BE OUTSIDE DANGER ZONE PRIOR TO ACTIVATING BLADE.

MAKE SURE there is no person in close proximity to you or the tool who could be injured by any operation being performed, tool malfunction or flying debris.

DO NOT OVEREXTEND your position by overreaching or unbalancing the footing necessary to maintain physical control of your body.

ALWAYS MAINTAIN a firm grip on the tool to avoid loss of control during an operation, causing property damage, serious injury or death.

USE THIS TOOL FOR THE MANUFACTURERS' INTENDED PURPOSE ONLY.

OBSERVE CLOSELY ALL SAFETY RULES FOR A PARTICULAR JOB CLASS

FAILURE TO HEED THESE WARNINGS COULD RESULT IN PROPERTY DAMAGE, SERIOUS PERSONAL INJURY OR DEATH.



WARNING

CUTTING DANGER

This hydraulic cutting tool can cut, dismember and/or disable.
KEEP ALL PARTS OF THE BODY AWAY FROM MOVING PARTS.

DO NOT lock the tool in the On Position. In an emergency, serious damage or injury could occur during the time required to stop the tool.

Failure to observe this warning could result in serious injury

REL-2000SA OPERATION



WARNING

Do not cut live conductors.

Hardened metals may fly when severed.

Take necessary precautions. wear safety glasses.

Keep all body parts away from cutting blades and moving parts.

Failure to follow these rules can result in serious personal injury or death.

Read entire manual prior to using this tool.

(Refer to all safety recommendations and warnings)

Observe all safety precautions and procedures required by the operating company.

(Refer to GENERAL SAFETY on page 8)

Before cutting, ensure that material being cut is within the capacity listed for this tool.

Tool must be used in conjunction with a hydraulic system rated at, and adjusted to, 10,000 psi. Any system not operating at 10,000 psi may cause damage to the tool and result in serious injury to the operator.

Connect the tool head to the control valve or hose set. (Refer to warnings on page 6 & 7)

Open cutter by removing locking pin.

Insert material between cutter head and blade.

Close and secure cutter head using locking pin. Failure to secure head may result in severe tool damage and/or personal injury.

The material to be cut **MUST** be at a 90° angle to the blade. This will ensure a proper cut with minimal distortion. Severe blade damage may occur if material is cut at any other angle.

Operate pump or valve to slowly advance blade. If a hold feature is available, check for proper alignment (90° angle) of blade and material being cut.

Continue until cut is complete.

Return source to the OFF/RETRACT position and allow movable blade to retract completely.

DAILY MAINTENANCE

The life, reliability, and safety of the tool is dependent on proper maintenance. **Clean** all surfaces including head, blade, couplers (if coupled), threads, and handles. **Inspect** for wear and damage. Worn or damaged parts may malfunction during operation. **All parts must be replaced with new parts if signs of wear or damage are evident.**



WARNING

Failure to observe all warnings and instructions could result in property damage, severe personal injury, and/or death.

BEFORE USING THIS PRODUCT READ THE SAFETY WARNINGS and recommended practices described in the manual. Failure by the operator to read and fully understand the warnings will leave this person unqualified to use and operate the tool.

RELIABLE EQUIPMENT & SERVICE CO., INC.

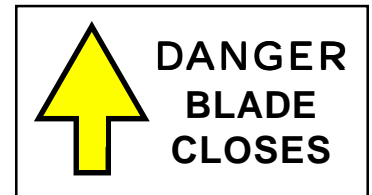
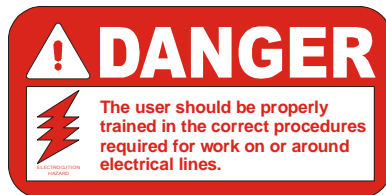
92 Steamwhistle Drive • Ivyland, PA 18974 • USA
Phone: 215-357-3500 • Fax: 215-357-9193

MODEL: -2000

MAX. PRESSURE: 10,000 PSI

SERIAL NO.: _____

YEAR: _____



NOTE: Keep Label Set clean and legible. Replace decals when necessary. Part #RL23400

Complete disassembly is not recommended. Return the unit to an authorized dealer for total disassembly and/or repair.

All maintenance or disassembly should take place on a flat, clean work surface covered with towels or wipers so as to have a clean space for the disassembled parts.

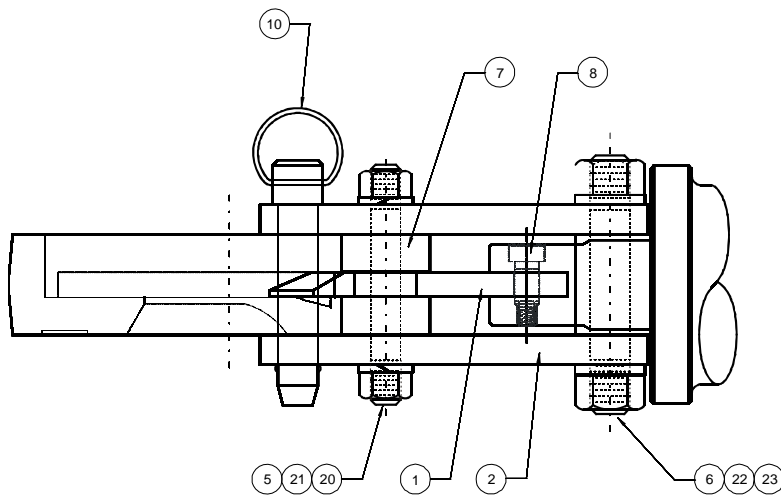
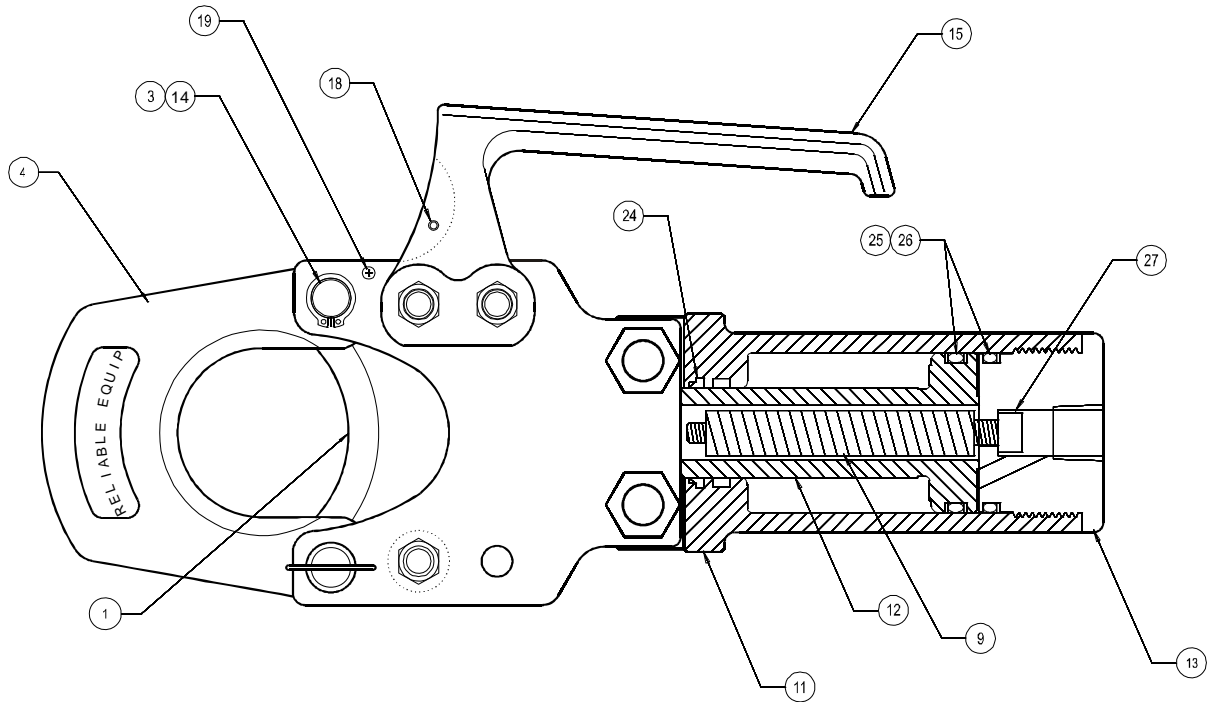
Inspect each part during disassembly for wear, scratches, and cuts. Discard the worn or damaged parts and replace with new factory authorized parts.

O-rings are sensitive to sharp edges. Inspect closely for cuts or damage. A small cut will cause a leak. When assembling or disassembling O-rings, use hydraulic fluid as a lubricant to help disassembly or installation.



IMPORTANT: The greatest cause of hydraulic system failure is dirt. Prevent the introduction of foreign matter into the unit via hydraulic fluid, dirty connections or accumulation of sediment.

REL-2000SA - CUTTING TOOL PARTS DRAWING



PARTS LIST - REL-2000SA
2" SINGLE ACTING HYDRAULIC CUTTING TOOL

ITEM	PART NO.	QTY	DESCRIPTION
1	23001	1	MOVING BLADE
2	23040	2	RETAINING PLATE
3	23003	1	PIVOT PIN
4	23004	1	HINGED CUTTER
5	23005	3	SMALL STUD
6	23006	2	LARGE STUD
7	23007	1	GUIDE ROLL
8	23008	1	CONNECTING PIN
9	20510	1	RETURN SPRING ASSY
10	23010	1	DETENT PIN W/ CABLE
11	23011	1	BODY
12	23501	1	S/A PISTON
13	23502	1	CAP
14	23014	2	RETAINING RING
15	23015	1	HANDLE
18	23018	1	SPRING PIN
19	23019	2	DOWEL
20	23020	6	SPLIT LOCK WASHER
21	23021	6	HEX NUT
22	23022	4	SPLIT LOCK WASHER
23	23023	4	HEX NUT
24	23024	1	* WIPER
25	23025	3	* BACK UP RING
26	23026	2	* O-RING
27	20509	1	SCREW, SPRING ASSY
	23550	1	SEAL KIT * ITEMS IN SEAL KIT

Contact RELIABLE EQUIPMENT at 800-966-3530 if you have any questions related to the instructional information found in this manual.

If you have any questions regarding the information found in this manual please contact RELIABLE EQUIPMENT at the address, phone or fax numbers shown below.



**RELIABLE EQUIPMENT
& SERVICE CO., INC.**

92 Steamwhistle Drive • Ivyland, PA 18974

Phone: 800-966-3530 • Fax: 215-357-9193

Visit us on the web at www.Reliable-Equip.com