

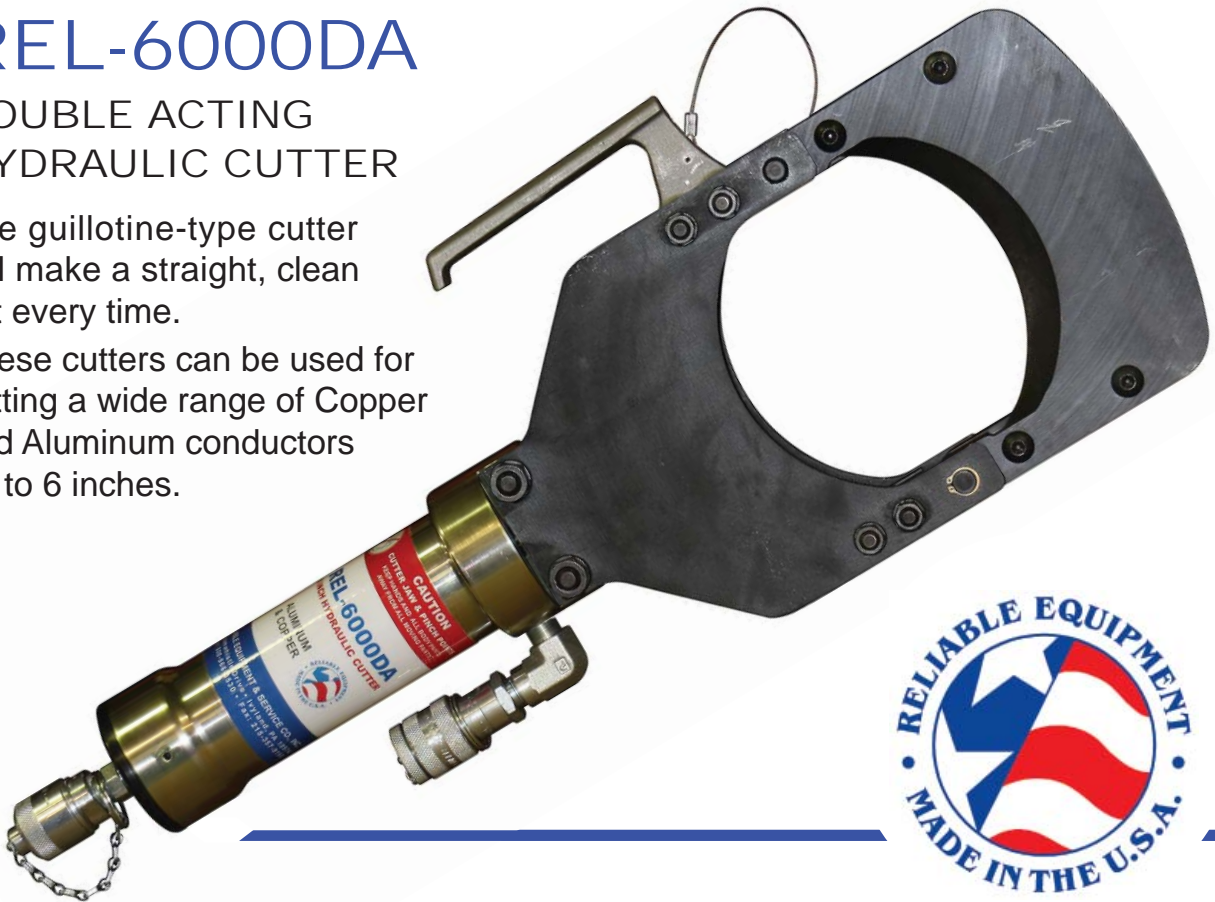
OPERATORS' GUIDE

REL-6000DA

DOUBLE ACTING HYDRAULIC CUTTER

The guillotine-type cutter will make a straight, clean cut every time.

These cutters can be used for cutting a wide range of Copper and Aluminum conductors up to 6 inches.



NOTICE

Sizes, weights and tool specifications listed in this manual are subject to change without notice.

Please consult factory for information and updates.

WARNING



All information found in this guide must be read and understood before use or testing of this tool.

Failure to read and understand these warnings and safe handling instructions could result in severe personal injury and or death.



RELIABLE EQUIPMENT & SERVICE CO., INC.

DISTRIBUTED BY

REGISTRATION

UPON RECEIPT OF THIS TOOL, COMPLETE THE REGISTRATION BELOW.

COMPANY _____

ADDRESS _____

PHONE _____ FAX _____

SERIAL NUMBER _____

DATE OF PURCHASE _____

DEALER NAME _____

TABLE OF CONTENTS

DISTRIBUTOR INFORMATION	2
REGISTRATION	3
TABLE OF CONTENTS	3
TOOL SPECIFICATIONS	4
SAFETY INFORMATION AND WARNINGS	5-8
OPERATING INSTRUCTIONS	9
DAILY MAINTENANCE.....	10
LABELS	10
MAINTENANCE RECORDS.....	11
REL-6000DA - PARTS DRAWING	12
REL-6000DA - PARTS LIST.....	13
USER NOTES.....	14
CONTACT INFORMATION	14
VISUAL WARNINGS	14



THIS SYMBOL INDICATES ITEMS OF EXTREME IMPORTANCE.

Safety of user and others may be in jeopardy if these instructions are not read and understood.

Failure to observe these warnings could result in serious injury or death.



WARNING

The information in this manual is intended to guide the user in the use and application of this tool. It is not intended as a substitute for proper training and experience in safe work practices for this type of equipment.

Consult your supervisor or safety personnel if you have any questions regarding the safe operation of this tool.



RELIABLE EQUIPMENT & SERVICE CO., INC.

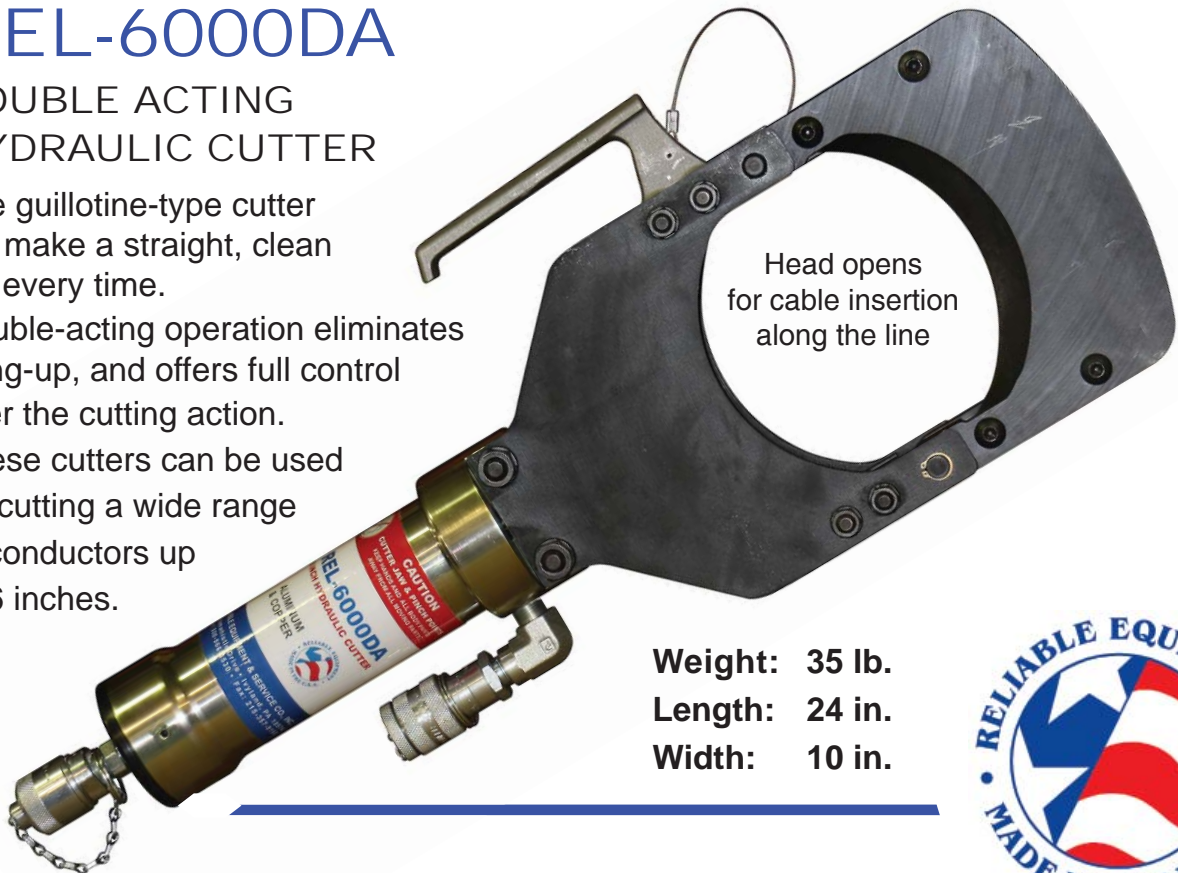
REL-6000DA

DOUBLE ACTING HYDRAULIC CUTTER

The guillotine-type cutter will make a straight, clean cut every time.

Double-acting operation eliminates hang-up, and offers full control over the cutting action.

These cutters can be used for cutting a wide range of conductors up to 6 inches.



Weight: 35 lb.

Length: 24 in.

Width: 10 in.



System	Double-Acting
Capacity (Jaw Opening)	6 inch
Force @ 10,000 psi (690 bar)	28,048 lb.
Return @ 5,000 psi (345 bar)	10,445 lb.
Max Operating Pressure	10,000 psi (690 bar)
Max Return Pressure	5,000 psi (345 bar)
Couplers	Direct Connect

FEATURES

- Lightweight, compact guillotine design provides a clean, positive cut.
- Cutting head is easily opened for cable insertion at any location in line.
- Built-in Auxiliary Handle

REL-6000DA - MAXIMUM CONDUCTOR CAPACITY

Soft Copper Jacket	6"
Aluminum Jacket	6"
Lead Sheathed Cable	6"
Communication Cable	6"

RELIABLE EQUIPMENT & SERVICE CO., INC.
 92 STEAMWHISTLE DRIVE • IVYLAND, PA 18974
 TOLL FREE: 800-966-3530 • FAX: 215-357-9193
 Visit us on the web at www.Reliable-Equip.com



BEFORE USING THIS TOOL, READ THE WARNINGS and the recommended practices described in this manual. Failure by the operator to read and fully understand these warnings will leave this person unqualified to use and operate this tool. Property damage, severe personal injury, and/or death could result by not following these warnings.

WARNING

These warnings will appear in appropriate locations when they are pertinent to the particular subject being shown. Read each one carefully and follow them strictly.



Eye Protection

WARNING

Always wear eye protection to avoid injury from flying debris or hydraulic oil leaks. Failure to do so can result in serious personal injury.



Skin Irritation

WARNING

Hydraulic oil may cause irritation. Use care to prevent contact with skin. In case of accidental contact, wash affected area immediately



Hard Hat

WARNING

Always wear a hard hat to avoid injury from falling debris. Failure to do so can result in serious personal injury.



Foot Protection

WARNING

Always wear foot protection. Failure to do so can result in serious personal injury.



Hearing Protection

WARNING

Always wear hearing protection, to avoid hearing loss due to long term exposure to high noise levels.



Protective Gloves

WARNING

Always wear protective gloves & cloths. Failure to do so can result in serious personal injury.



WARNING

SAFE OPERATION & CARE

USE THIS TOOL FOR ITS INTENDED PURPOSE ONLY

Any other use can result in injury or property damage.

INSPECT TOOL BEFORE USE. Replace any worn, damaged or missing parts. A damaged or improperly assembled tool may malfunction, injuring operator and/or nearby personnel.

INSPECT HYDRAULIC HOSES AND COUPLINGS before each use. Repair or replace if any cracking, leakage, wear or damage is found. Worn or damaged hoses may fail resulting in personal injury or property damage.

CLEAR WORK AREA of all bystanders and unnecessary personnel before operating this tool.

KEEP ALL PARTS OF THE BODY AWAY FROM MOVING PARTS.

Failure to observe this warning could result in serious injury.



WARNING

HYDRAULIC POWER SUPPLY

TURN HYDRAULIC SOURCE OFF before making any connection

DO NOT attempt to make any changes to any of the component parts or accessories when connected to the power source.

DO NOT adjust, inspect, or clean any tool while the tool is connected to the power source. The tool could accidentally start up and may cause serious injury.

DO NOT lock the tool in the On Position. In an emergency, serious damage or injury could occur during the time required to stop the tool.



DANGER

OIL INJECTION INJURY

Hydraulic oil or fluid under the skin is a serious injury. Oil under pressure can penetrate the skin and may cause dismemberment or loss of life. Seek medical assistance immediately if such an injury should occur.

Always wear safety gloves, eye protection and all required safety equipment when operating or handling this tool.

DO NOT use fingers or hands to attempt to locate a leak.

DO NOT handle hoses or couplers while system is pressurized.

NEVER open or service the system before depressurizing.

THIS TOOL REQUIRES A HOSE ASSEMBLY RATED AT 10,000 PSI. (40,000 PSI BURST)



WARNING

HOSES AND FITTINGS

There exists the potential for shock in using anything other than certified non-conductive hoses and hydraulic oil with dielectric properties, when using system components near energized electrical lines. Failure to recognize these conditions could cause electrocution.

Hoses and fittings used with this tool must comply with S.A.E. J1273 which covers recommended practice for selection, installation, and maintenance of hose and hose assemblies. The **correct hoses and fittings are available from your supplier.**

WARNING: Failure to comply with these warnings could result in severe bodily injury.



WARNING

UNIT/HOSE CONNECTIONS

ALWAYS DISCONNECT pump/power source and move toggle switch to **OFF** before connecting or disconnecting any components.

ALWAYS DEPRESSURIZE hydraulic system, before slowly disconnecting this unit or any of the systems components.

ALWAYS TIGHTEN couplings completely. Loose or improperly tightened couplings will not allow fluid to pass through the hose creating a blockage in the supply or return line.

ALWAYS INSPECT HOSES & CONNECTORS before connection to tool. Replace or repair if any leakage is evident. Leakage is a sign of deterioration in component parts. Worn or leaking parts must be repaired or replaced, or tool damage or severe injury could result.



CAUTION

HOSE INSTALLATION

ALWAYS ENSURE CONNECTORS ARE CLEAN

DOUBLE ACTING - Care must be taken to assure the correct connection of the hoses to the pressure and return (tank) ports. Connect the return hose to the return (tank) port on the power source, then to the return port on the tool.

Connect the pressure hose to the pressure port on the tool, then to the "P" pressure port on the power source.

Operation with hydraulic flow reversed can cause malfunction.



WARNING

Operation/Safety methods may vary in accordance with the working guidelines established by each utility or contractor.

For your own safety, ensure that you fully comply with all safe operation guidelines required by your employer.



WARNING

ELECTRICAL SHOCK HAZARD

Always wear and use the necessary clothing, equipment and safety practices to protect against electrical shock. Failure to follow these rules can result in serious personal injury or death.



GENERAL SAFETY



USE ALL APPROPRIATE AND APPLICABLE PERSONAL SAFETY EQUIPMENT as required by the operating company.

ALWAYS INSPECT TOOL for wear or deterioration every day.

Replace all parts that show signs of wear or damage.

KEEP ALL PARTS OF THE BODY AWAY from moving parts of the tool.

KEEP HANDS OUT FROM BETWEEN FIXED AND MOVING BLADES AT TOOL HEAD.

HANDS SHOULD BE OUTSIDE DANGER ZONE PRIOR TO ACTIVATING BLADE.

MAKE SURE there is no person in close proximity to you or the tool who could be injured by any operation being performed, tool malfunction or flying debris.

DO NOT OVEREXTEND your position by overreaching or unbalancing the footing necessary to maintain physical control of your body.

ALWAYS MAINTAIN a firm grip on the tool to avoid loss of control during an operation, causing property damage, serious injury or death.

USE THIS TOOL FOR THE MANUFACTURERS' INTENDED PURPOSE ONLY.

OBSERVE CLOSELY ALL SAFETY RULES FOR A PARTICULAR JOB CLASS

FAILURE TO HEED THESE WARNINGS COULD RESULT IN PROPERTY DAMAGE, SERIOUS PERSONAL INJURY OR DEATH.

OPERATION



WARNING

Do not cut live conductors.

Hardened metals may fly when severed.

Take necessary precautions. wear safety glasses.

Keep all body parts away from cutting blades and moving parts.

Failure to follow these rules can result in serious personal injury or death.

Read entire manual prior to using this tool. (Refer to all safety recommendations and warnings)

Observe all safety precautions and procedures required by the operating company.
(Refer to GENERAL SAFETY on previous page)

Before cutting, ensure that material being cut is within the capacity listed for this tool.

Tool must be used in conjunction with a hydraulic system rated at, and adjusted to, 10,000 psi. Any system not operating at 10,000 psi may cause damage to the tool and result in serious injury to the operator.

Connect the tool head to the control valve or hose set. (Refer to warnings on page 6 & 7)

Open cutter by removing locking pin.

Insert material between cutter head and blade.

Close and secure cutter head using locking pin. Failure to secure head may result in severe tool damage and/or personal injury.

The material to be cut **MUST** be at a 90° angle to the blade. This will ensure a proper cut with minimal distortion. Severe blade damage may occur if material is cut at any other angle.

Operate pump or valve to slowly advance blade. If a hold feature is available, check for proper alignment (90° angle) of blade and material being cut.

Continue until cut is complete.

Use valve or pump to retract blade.



CAUTION

The information in this manual is intended to guide the user in the use and application of this tool. It is not intended as a substitute for proper training and experience in safe work practices for this type of equipment.

Consult your supervisor or safety personnel if you have any questions regarding the safe operation of this tool.

DAILY MAINTENANCE

The life, reliability, and safety of the tool is dependent on proper maintenance.

Clean all surfaces including head, blade, couplers (if coupled), threads, and handles.

Inspect for wear and damage. Worn or damaged parts may malfunction during operation.

All parts must be replaced with new parts if signs of wear or damage are evident.

Keep Label Set clean and legible. Replace decals when necessary. **Part #RL56000**



IMPORTANT: The greatest cause of hydraulic pump failure is dirt. Prevent the introduction of foreign matter into the unit via hydraulic fluid, dirty connections or accumulation of sediment.

Part # RL56000

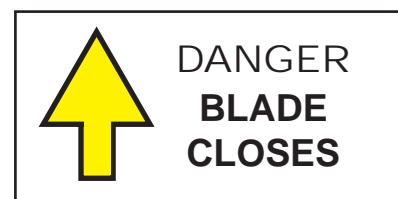
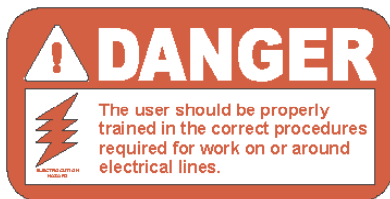
NOTE: Keep Label Set clean and legible. Replace decals when necessary.



WARNING

BEFORE USING THIS PRODUCT READ THE SAFETY WARNINGS and recommended practices described in the manual. Failure by the operator to read and fully understand the warnings will leave this person unqualified to use and operate the tool.

Failure to observe all warnings and instructions could result in property damage, severe personal injury, and/or death.



Complete disassembly is not recommended. Return the unit to an authorized dealer for total disassembly and/or repair.

All maintenance or disassembly should take place on a flat, clean work surface covered with towels or wipers so as to have a clean space for the disassembled parts.

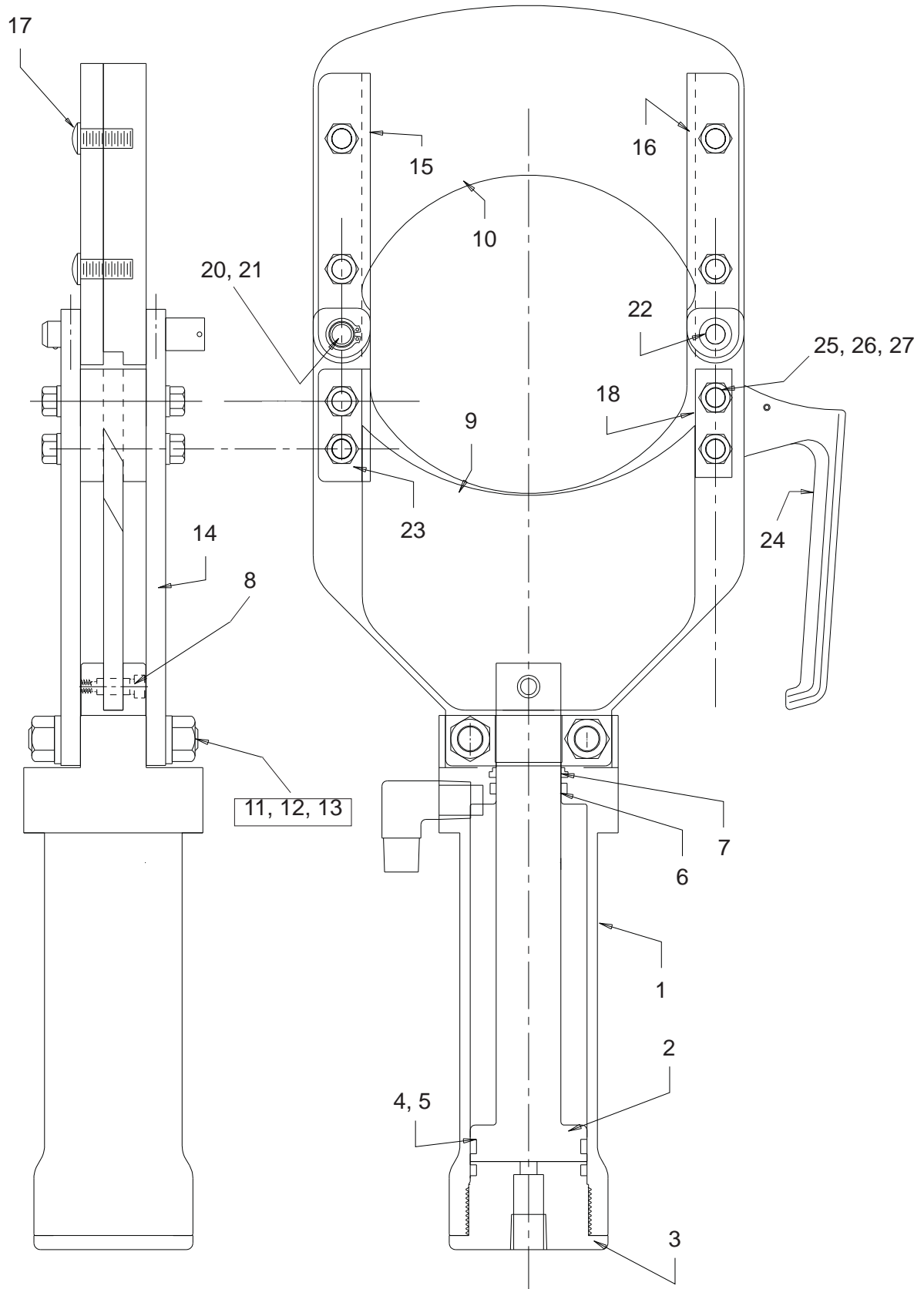
Inspect each part during disassembly for wear, scratches, and cuts. Discard the worn or damaged parts and replace with new factory authorized parts.

O-rings are sensitive to sharp edges. Inspect closely for cuts or damage. A small cut will cause a leak. When assembling or disassembling O-rings, use hydraulic fluid as a lubricant to help disassembly or installation.

MAINTENANCE RECORDS

Date	Parts or Service Required

REL-6000DA PARTS DRAWING



REL-6000DA PARTS LIST

#	PART	QTY	PART #
1	CYLINDER	56001	1
2	RAM	56002	1
3	END CAP	56003	1
4	O-RING	56004	* 2
5	BACKUP RING	56005	* 3
6	O-RING	56006	* 1
7	WIPER	56007	* 1
8	BLADE LOCK PIN	56008	1
9	MOVING BLADE	56009	1
10	TOP BLADE	56010	1
11	LARGE STUD	56011	2
12	LOCK WASHER	56012	4
13	NUT	56013	4
14	SIDE PLATE	56014	2
15	RIGHT GUIDE RAIL	56015	1
16	LEFT GUIDE RAIL	56016	1
17	BUTTON HD CAP SCREW	56017	4
18	INSERT (FOR HANDLE)	56018	1
20	PIVOT PIN	56020	1
21	RETAINING RING	56021	1
22	DETENT PIN ASSEMBLY	56022	1
23	GUIDE	56023	1
24	HANDLE	56024	1
24	SMALL STUD	56025	4
25	LOCK WASHER	56026	8
26	NUT	56027	8
	SEAL KIT (*DENOTES ITEMS IN SEAL KIT) .	56030	
REL-6000DA (Also includes couplers below)			
	HIGH PRESSURE COUPLER - MALE	1	130868
	HIGH PRESSURE COUPLER - FEMALE	1	130878

USER NOTES

If you have any questions regarding the information in this manual please contact RELIABLE EQUIPMENT at the address, phone or fax numbers shown below.

 **RELIABLE EQUIPMENT & SERVICE CO., INC.**
92 Steamwhistle Drive • Ivyland, PA 18974
Phone: 800-966-3530 • Fax: 215-357-9193
Visit us on the web at www.Reliable-Equip.com



Read Manual



Protective Head Wear



Protective Eye Wear



Protective Clothing



Hearing Protection



Protective Foot Wear



Electrical Shock



Hot Surfaces



Hydraulic Injection