

OPERATORS' GUIDE

REL-6TN-RH

6.2 TON SINGLE ACTING
REMOTE HYDRAULIC
CRIMPING HEAD



Compatible with Kearney,
Burndy "W" type, and RELIABLE
6 ton compression dies.

WARNING



All information found in this guide must be read and understood before use or testing of this tool.

Failure to read and understand these warnings and safe handling instructions could result in severe personal injury and or death.

RELIABLE EQUIPMENT & SERVICE CO., INC.

92 Steamwhistle Drive • Ivyland, PA 18974 • USA
Phone: 215-357-3500 • Fax: 215-357-9193

MODEL: _____

MAX. PRESSURE: _____

SERIAL NO.: _____

YEAR: _____

NOTICE

Sizes, weights and tool specifications listed in this manual are subject to change without notice. Please consult factory for information and updates.



RELIABLE EQUIPMENT & SERVICE CO., INC.

DISTRIBUTED BY

REGISTRATION

UPON RECEIPT OF THIS TOOL, COMPLETE THE REGISTRATION BELOW.

COMPANY _____

ADDRESS _____

PHONE _____ FAX _____

SERIAL NUMBER _____

DATE OF PURCHASE _____

DEALER NAME _____



CAUTION

The information in this manual is intended to guide the user in the use and application of this tool. It is not intended as a substitute for proper training and experience in safe work practices for this type of equipment.

Consult your supervisor or safety personnel if you have any questions regarding the safe operation of this tool.

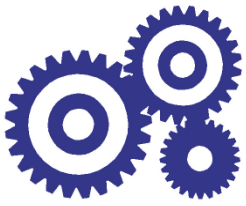
TABLE OF CONTENTS

DISTRIBUTOR INFORMATION.....	2
REGISTRATION	2
TABLE OF CONTENTS.....	3
TOOL SPECIFICATIONS	
REL-6TN-RH - MANUAL HYDRAULIC 6.2 TON COMPRESSION TOOL.....	4
SAFETY INFORMATION AND WARNINGS.....	5-9
OPERATING INSTRUCTIONS	10-11
DIE REFERENCE CHARTS.....	12
DAILY MAINTENANCE	13
GENERAL MAINTENANCE.....	13
LABEL SET	14
PARTS LIST	14
PARTS DRAWING	15
MAINTENANCE RECORDS	16
CONTACT INFORMATION.....	16

If you have any questions regarding the information found in this manual please contact RELIABLE EQUIPMENT at 800-966-3530 or FAX 215-357-9193.



THIS SYMBOL INDICATES ITEMS OF EXTREME IMPORTANCE.
Safety of user and others may be in jeopardy if these instructions are not read and understood.



RELIABLE EQUIPMENT & SERVICE CO., INC.

REL-6TN-RH 6.6 Ton Single Acting Remote Hydraulic Crimping Head



Accepts Kearney type and "W" type 6 ton dies

SPECIFICATIONS

OUTPUT	6.6 ton
LENGTH:	12 in. w/ cplr.
WEIGHT	7.0 lbs.
Connector Range	
JAW	.950 inches
LUGS	#6-500 MCM Cu
SPLICES	#6-500 MCM Al
H-TAPS	4/0 - 4/0

REL-6TN-RH

Remote Service Entrance Crimp Head

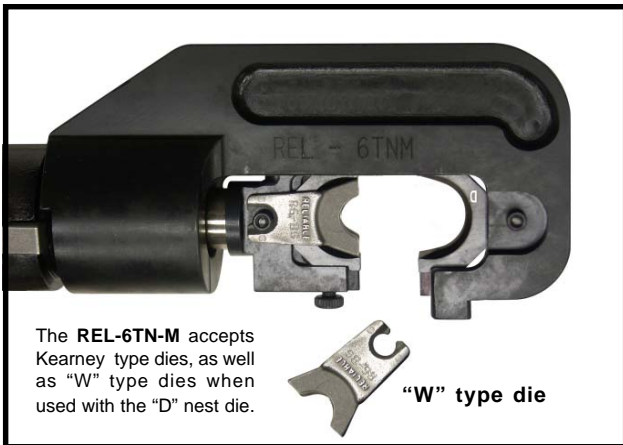
This versatile remote compression tool is will make service entrance connections up to 4/0 quick and easy. This model features a .95 inch jaw opening providing ample space for die positioning.

The 180° swivel head permits simple tool positioning, and usability in confined areas.

OPTIONAL: R6-28K "W" style cutter die will allow cutting of 4-4/0 ACSR, Al, & Cu.

RELIABLE EQUIPMENT & SERVICE CO., INC.

92 Steamwhistle Drive • Ivyland, PA 18974
Phone: 800-966-3530 • Fax: 215-357-9193
Visit us on the web at www.Reliable-Equip.com



The REL-6TN-M accepts Kearney type dies, as well as "W" type dies when used with the "D" nest die.

"W" type die



WARNING

BEFORE USING THIS TOOL, READ THE WARNINGS and the recommended practices described in this manual. Failure by the operator to read and fully understand these warnings will leave this person unqualified to use and operate this tool. Property damage, severe personal injury, and/or death could result by not following these warnings.

These warnings will appear in appropriate locations when they are pertinent to the particular subject being shown. Read each one carefully and follow them strictly.



Eye Protection

WARNING

Always wear eye protection to avoid injury from flying debris or hydraulic oil leaks. Failure to do so can result in serious personal injury.



Skin Irritation

WARNING

Hydraulic oil may cause irritation. Use care to prevent contact with skin. In case of accidental contact, wash affected area immediately



Hard Hat

WARNING

Always wear a hard hat to avoid injury from falling debris. Failure to do so can result in serious personal injury.



Foot Protection

WARNING

Always wear foot protection. Failure to do so can result in serious personal injury.



Hearing Protection

WARNING

Always wear hearing protection, to avoid hearing loss due to long term exposure to high noise levels.



Protective Gloves

WARNING

Always wear protective gloves Failure to do so can result in serious personal injury.



WARNING

SAFE OPERATION & CARE

USE THIS TOOL FOR ITS INTENDED PURPOSE ONLY

Any other use can result in personal injury or property damage.

INSPECT TOOL BEFORE USE. Replace any worn, damaged or missing parts. A damaged or improperly assembled tool may malfunction, injuring operator and/or nearby personnel.

INSPECT HYDRAULIC HOSES AND COUPLINGS before each use. Repair or replace if any cracking, leakage, wear or damage is found. Worn or damaged hoses may fail resulting in personal injury or property damage.

CLEAR WORK AREA of all bystanders and unnecessary personnel before operating this tool.

KEEP ALL PARTS OF THE BODY AWAY FROM MOVING PARTS.

Failure to observe this warning could result in serious injury.



WARNING

HYDRAULIC POWER SUPPLY

DO NOT attempt to make any changes to any of the component parts or accessories when connected to the power source.

DO NOT adjust, inspect, or clean tool while the tool is connected to the power source. The tool could accidentally start up and cause serious injury.

DO NOT lock the tool in the On Position. In an emergency, serious damage or injury could occur during the time required to stop the tool.



WARNING

OIL INJECTION INJURY

Hydraulic oil or fluid under the skin is a serious injury. Oil under pressure can penetrate the skin and may cause dismemberment or loss of life. Seek medical assistance immediately if such an injury should occur.

Always wear safety gloves, eye protection and all required safety equipment when operating or handling this tool.

DO NOT use fingers or hands to attempt to locate a leak.

DO NOT handle hoses or couplers while system is pressurized.

NEVER open or service the system before depressurizing.



WARNING

HOSES AND FITTINGS

There exists the potential for shock in using anything other than certified nonconductive hoses and hydraulic oil with dielectric properties, when using system components near energized electrical lines. Failure to recognize these conditions could cause electrocution.

Hoses and fittings used with this tool must comply with S.A.E. J1273 which covers recommended practice for selection, installation, and maintenance of hose and hose assemblies. The **correct hoses and fittings are available from your supplier.**

WARNING: Failure to comply with these warnings could result in severe bodily injury.



WARNING

UNIT/HOSE CONNECTIONS

ALWAYS DISCONNECT pump/power source and move toggle switch to **OFF** before connecting or disconnecting any components.

ALWAYS DEPRESSURIZE hydraulic system, before slowly disconnecting this unit or any of the systems components.

ALWAYS TIGHTEN couplings completely. Loose or improperly tightened couplings will not allow fluid to pass through the hose creating a blockage in the supply or return line.

ALWAYS INSPECT HOSES AND CONNECTORS before connection to tool. Replace or repair if any leakage is evident. Leakage is a sign of deterioration in component parts. Worn or leaking parts must be repaired or replaced, or tool damage or severe injury could result.



WARNING

Operation/Safety methods may vary in accordance with the working guidelines established by each utility or contractor.

For your own safety, ensure that you fully comply with all safe operation guidelines required by your employer.



WARNING

ELECTRICAL SHOCK HAZARD

Always wear and use the necessary clothing, equipment and safety practices to protect against electrical shock. Failure to follow these rules can result in serious personal injury or death.



WARNING

SERIOUS BURN HAZARD

HOT SURFACES MAY CAUSE SERIOUS BURNS.

The hydraulic cylinder may be hot during and after operation.

CAUTION: HYDRAULIC FLUID MAY CAUSE SERIOUS BURNS.

Never disconnect tool, hoses, or fittings while the hydraulic power source is running or if the hydraulic fluid is hot.

Failure to observe this warning could result in serious injury.



WARNING

CRIMP DANGER

This hydraulic crimping tool can crush and/or disable. **KEEP ALL PARTS OF THE BODY AWAY FROM MOVING PARTS.**

DO NOT lock the tool in the On Position. In an emergency, serious damage or injury could occur during the time required to stop the tool.

Failure to observe this warning could result in serious injury



WARNING

TOOL HAZARD

DO NOT OPERATE TOOL WITHOUT DIES.

DO NOT EXCEED THE MAXIMUM HYDRAULIC FLOW, RELIEF PRESSURE, OR BACK PRESSURE.

Failure to observe warnings could result in tool damage or injury.



WARNING

FIRE HAZARD

An incomplete crimp may pose a fire hazard.

Always use the appropriate connector, die set, and compression tool, as required by the intended application.

Compression tool should be tested on a regular schedule to ensure accurate compression.

Failure to observe this warning could result in serious injury.

IF YOU HAVE ANY QUESTIONS REGARDING THE SAFE USE AND/OR OPERATION OF THIS TOOL, CONSULT YOUR AREA SUPERVISOR, OR CONTACT RELIABLE EQUIPMENT AT 800-966-3530



GENERAL SAFETY



USE ALL APPROPRIATE AND APPLICABLE PERSONAL SAFETY EQUIPMENT as required by the operating company.

INSPECT TOOL BEFORE USE. Replace any worn, damaged or missing parts. **A damaged or improperly assembled tool may injure operator and/or nearby personnel.**

KEEP ALL PARTS OF THE BODY AWAY from moving parts of the tool.

ALL BODY PARTS SHOULD BE OUTSIDE DANGER ZONE PRIOR TO COMPRESSION.

MAKE SURE there is no person in close proximity to you or the tool who could be injured by any operation being performed, tool malfunction or flying debris.

DO NOT OVEREXTEND your position by overreaching or unbalancing the footing necessary to maintain physical control of your body and the tool.

ALWAYS MAINTAIN a firm grip on the tool to avoid loss of control during an operation, causing property damage, serious injury or death.

USE THIS TOOL FOR THE MANUFACTURERS' INTENDED PURPOSE ONLY.

OBSERVE CLOSELY ALL OF THE SAFETY RULES FOR A PARTICULAR JOB CLASS

Operation/Safety methods may vary in accordance with the working guidelines established by each utility or contractor. Ensure that you fully comply with all safe operation guidelines required by your employer.

**FAILURE TO HEED SAFETY WARNINGS MAY RESULT IN
PROPERTY DAMAGE, SERIOUS INJURY OR DEATH**

OPERATION

Read entire manual prior to using this tool.

(Refer to all safety recommendations and warnings)

Observe all safety precautions and procedures required by the operating company. (Also refer to SAFETY information found on pages 6 through 10)

Before crimping, ensure that crimp is within the capacity listed for the tool.

Refer to connector manufacturer's instructions for cable preparation and crimping procedure.

Ensure that you are using the proper die, as recommended by the connector manufacturer.

WARNING: DO NOT OPERATE TOOL WITHOUT DIES

1. Ensure that proper 10,000 psi power source is turned **OFF** and valve is in **OFF** position.
2. Connect to a power source with an audible "Pop Off" type relief valve. (Recommended)
(Refer to page 8 UNIT/HOSE CONNECTION)
3. Ensure that the ram is fully retracted.
4. Insert proper die into die seat. Refer to appropriate **DIE INSTALLATION** on next page.
5. Place tool over connector. Center connector between the dies.
6. Align jaw as necessary to ensure proper crimp. Position subject at a 90° angle to the tool.

KEEP HANDS AND ALL BODY PARTS AWAY FROM COMPRESSION OPERATION

7. Turn power source "ON" and activate control valve to advance compression dies up to subject. **Check tool alignment.**
8. Continue to advance until "pop off" is felt or heard and full pressure has been obtained.
9. Return source to the "OFF" position and allow compression nibs to retract completely.
10. Repeat procedure as required by compression sleeve or regulating authority.
11. Visually inspect crimp for correctness.

Manufacturer recommends regular testing for proper pressure and operation.

Test at least every 6 (six) months, test more often under heavy usage.

**IF YOU HAVE ANY QUESTIONS REGARDING THE PROPER USE
AND/OR OPERATION OF THIS TOOL, CONSULT YOUR AREA SUPERVISOR,
OR CONTACT RELIABLE EQUIPMENT AT 800-966-3530**

DIE INSTALLATION

Observe safety precautions and procedures required by the operating company.

Ensure that you are using the proper die, as recommended by the connector manufacturer.

Ensure specified die is within the capacity of the tool.

INSERT KEARNEY STYLE DIE INTO JAW

Open tool jaw completely.

Slide the die into die seat. (Illustration B)

Tighten thumb screws to secure die.

Check to ensure die is securely seated.

Repeat steps above for opposing die half.

INSERT "W" STYLE DIE WITH D3 ADAPTER

Open tool jaw completely.

Slide the Kearney D3 die adapter into the jaw. (Illustration B) Ensure die is securely seated.

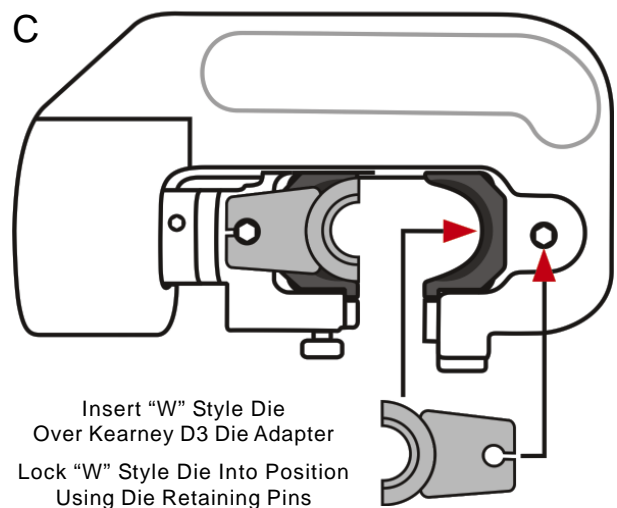
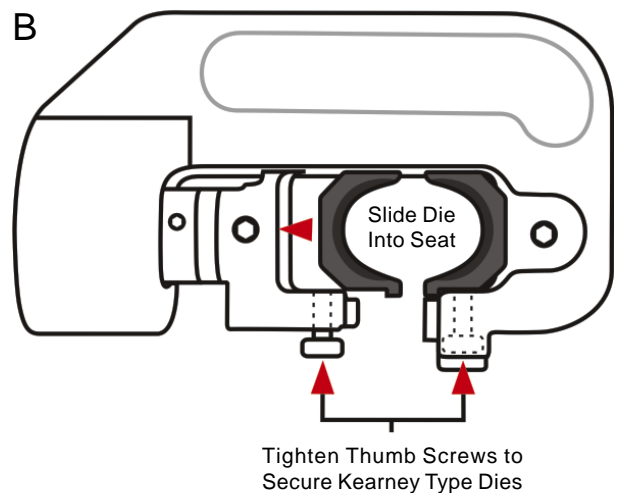
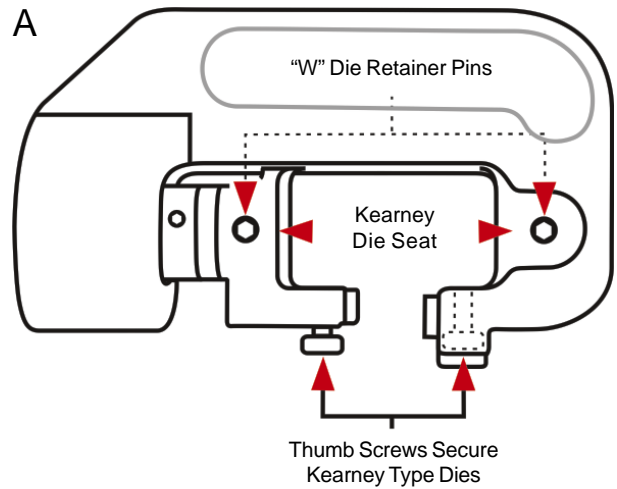
Push down on die retainer pin. (Illustration C)

Slide die half into die seat and on the die pin.

Release retainer pin.

Check to ensure die is securely seated.

Repeat steps above for opposing die half.



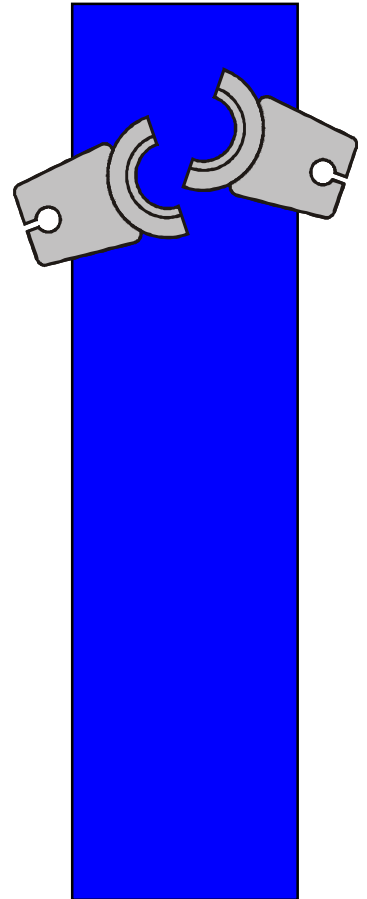
Refer to die selection/reference chart on next page for dies available from Kearney, Burndy, and RELIABLE EQUIPMENT.

RELIABLE R6 SERIES

6 TON DIES EQUIV. TO BURNDY "W" STYLE

RELIABLE	BURNDY
R6-BG	WBG
R6-C	WC
R6-K840	WK840
R6-L	WL
R6-O	WO
R6-Q	WQ
R6-161	W161
R6-162	W162
R6-163	W163
R6-164	W164
R6-165	W165
R6-167	W167
R6-171	W171
R6-236	W236
R6-237	W237
R6-238	W238
R6-239	W239
R6-240	W240

RELIABLE	BURNDY
R6-241	W241
R6-242	W242
R6-243	W243
R6-245	W245
R6-247	W247
R6-248	W248
R6-249	W249
R6-251	W251
R6-660	W660
R6-687	W687
R6-690	W690
R6-691	W691
R6-693	W693
R6-694	W694
R6-702	W702
R6-733	W733
R6-CUT	W28K

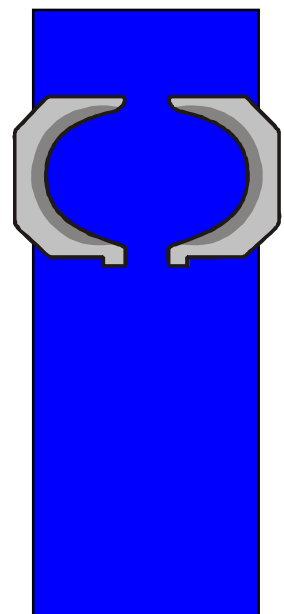


RELIABLE R6K SERIES

6 TON DIES EQUIV. TO KEARNEY "O" STYLE

RELIABLE	KEARNEY
R6K-B	B
R6K-D	D
R6K-J	J
R6K-K	K
R6K-O	O
R6K-P	P
R6K-T	T
R6K-737	737
R6K-781	781
R6K-840	840
R6K-3/16	3/16
R6K-1/4	1/4

RELIABLE	KEARNEY
R6K-5/16	5/16
R6K-3/8	3/8
R6K-1/2	1/2
R6K-9/16	9/16
R6K-19/32	19/32
R6K-5/8-1	5/8-1
R6K-11/16	11/16
R6K-D3	D3
R6K-510H	510-HEX
R6K-635H	635-HEX
R6K-747H	747-HEX



DAILY MAINTENANCE

The life, reliability, and safety of the tool is dependent on proper use and maintenance.

STORE THE TOOL PROPERLY . . . Before storing tools release pressure so that the crimping jaw fully retract. This protects the operating ram from moisture and condensation.

NOTE: When the tool has been stored for extended period of non-use, the tools should be activated approximately every 3 weeks to keep o-rings and seals lubricated. Clean and inspect all surfaces including head, ram, body and coupler.

WARNING: Head may cut or pinch. Please use extreme caution.

Worn or damaged parts may malfunction during operation, causing more extensive damage to the tool and/or severe injury to the operator or bystander.

All parts must be replaced with new parts if signs of wear or damage are evident.

DO NOT MAKE ADJUSTMENTS TO THE TOOL . . . There are no adjustments on this tool which can be made in the field. If a tool becomes inoperative and the instructions in this booklet do not correct the malfunction have the tool serviced by RELIABLE EQUIPMENT or an authorized service provider.

Keep Label Set clean and legible. Replace decals when necessary.

GENERAL MAINTENANCE

This tool requires well-trained experienced personnel for major repairs, adjustments or maintenance. **Complete disassembly is not recommended. Return the unit to an authorized dealer for total disassembly and/or repair.** It is suggested that tools requiring repairs be returned to Reliable Equipment for correction unless overall local conditions are adequate and service training has been provided. Reliable Equipment is set up to provide quick maintenance and overhaul service. Contact your Reliable Equipment representative if service is required.

All maintenance or disassembly should take place on a flat, clean work surface covered with towels or wipers so as to have a clean space for the disassembled parts.

Inspect each part during disassembly for wear, scratches, and cuts. Discard the worn or damaged parts and replace with new factory authorized parts.

O-rings are sensitive to sharp edges. Inspect closely for cuts or damage. A small cut will cause a leak. When assembling or disassembling O-rings, use hydraulic fluid as a lubricant to help disassembly or installation.

NOTICE: When disposing of hydraulic fluid, parts or components observe all federal, state, and local guidelines.

IF YOU HAVE QUESTIONS REGARDING THE REPAIR AND MAINTENANCE OF THIS TOOL CONTACT RELIABLE EQUIPMENT OR YOUR RELIABLE EQUIPMENT REPRESENTATIVE.



WARNING

Inspection & Testing requirements may vary in accordance with the working guidelines established by each utility or contractor. For your own safety, ensure that you fully comply with all safe operation guidelines required by your employer.

NOTE: Keep Label Set clean and legible. Replace decals when necessary.



WARNING

BEFORE USING THIS PRODUCT READ THE SAFETY WARNINGS and recommended practices described in the manual. Failure by the operator to read and fully understand the warnings will leave this person unqualified to use and operate the tool.

Failure to observe all warnings and instructions could result in property damage, severe personal injury, and/or death.



WARNING

KEEP BODY PARTS OUT OF COMPRESSION ZONE

CAUTION

Operation and safety methods may vary in accordance with the guidelines established by each utility. For your safety, ensure that you fully comply with all safe operation guidelines established by your respective power utility.

REL-SM

DANGER



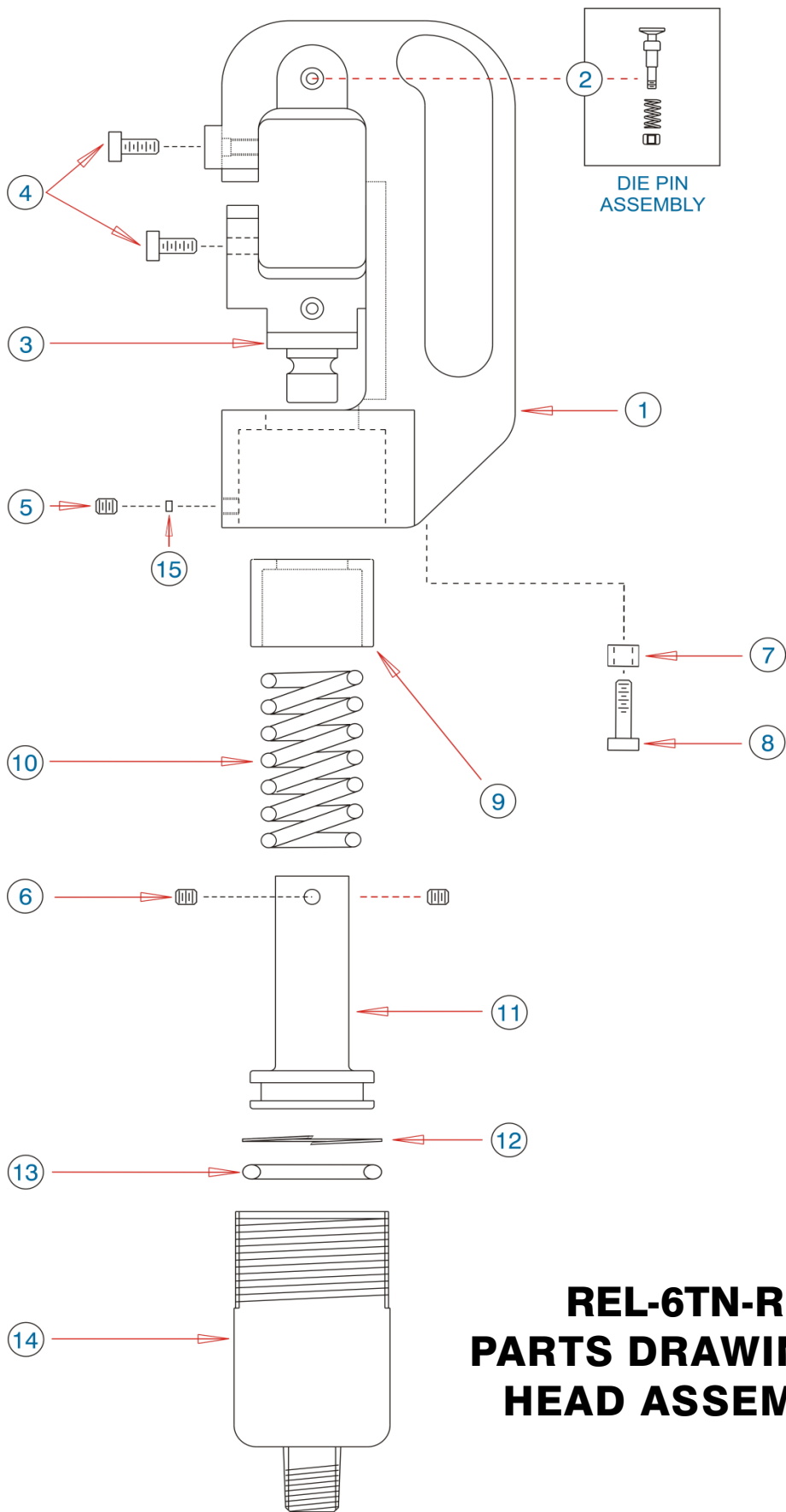
The user should be properly trained in the correct procedures required for work on or around electrical lines.

CAUTION

Do not operate without dies.

REL-6TN-RH - REMOTE HEAD PARTS LIST

ITEM	QTY	PART #	DESCRIPTION
1	1	R32201	HEAD
2	1	K2854	DIE RELEASE PIN ASSEMBLY
3	1	R32202	6 TON DIE CRADLE
4	2	R32203	KNURLED SCREW
5	1	R32204	SET SCREW (HEAD)
6	2	R43206	SET SCREW (RAM)
7	1	R43207	SPACER
8	1	R43105	STOP SCREW
9*	1	R36010	GUIDE RING
10	1	R36009	SPRING
11	1	R43102	RAM
12	1	R41012	BACK-UP RING
13	1	R41013	O-RING
14	1	R43501	CYLINDER
15	1	R43115	PLASTIC DOT



**REL-6TN-RH
PARTS DRAWING #1
HEAD ASSEMBLY**

