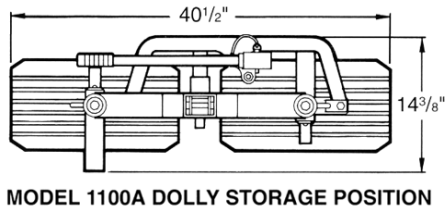
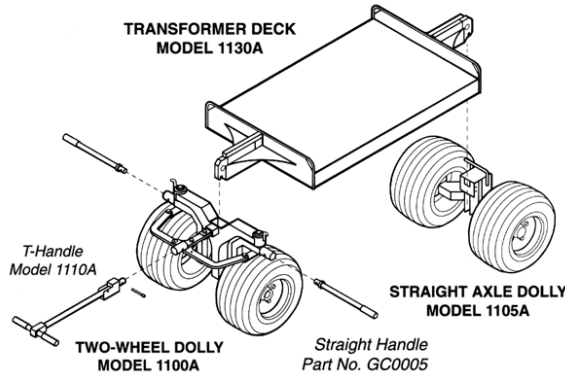


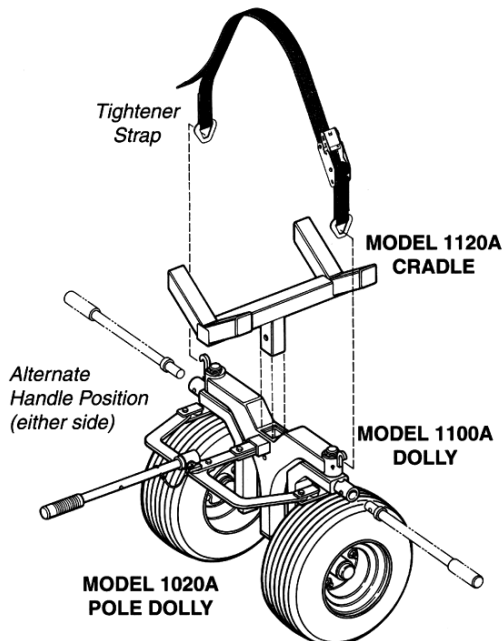


TRANSFORMER DOLLY



SPECIFICATIONS:

Transformer Dolly	1030A	1031A
Height (no load)	24"	24"
Width	32"	32"
Length (w/o handle)	97"	93"
Weight (complete)	380 lbs.	336 lbs.



TIIGER LINE DOLLYS

The Tiiger Transformer and Pole Dollies are the answer for moving equipment in and out of hard to reach areas, such as residential back yards. Wide turf-type tires reduce lawn damage, and 180° steering from either side (except 1031-A) offers the ultimate in maneuverability.

Hi-strength steel, tubular construction, and tapered roller bearings are used to construct these lightweight, compact, durable units.

Either unit can pass through a 32" gate, and the modular design permits the dolly components to be easily disassembled for transport or storage.

TRANSFORMER DOLLYS

Model 1030A Transformer Dolly includes:

- (2) 1100A Dollies (w/ straight handles)
- (1) 1130A Transformer Deck
- (1) 1110A T-Handle

Model 1031A Transformer Dolly includes:

- (1) 1100A Dolly (w/ straight handle)
- (1) 1105A Straight Axle Dolly
- (1) 1130A Transformer Deck
- (1) 1110A T-Handle

POLE DOLLY

Model 1020A Pole Dolly includes:

- (1) 1100A Dolly (w/ straight handle)
- (1) 1120A Pole Cradle (w/ tightener strap)

Model 1025A Pole Dolly Includes:

- (1) 1100A Dolly (w/ straight handle)
- (1) 1125A Roller Pole Cradle (w/ tightener strap)

SPECIFICATIONS:

Pole Dolly	1020A	1025A
Height (with cradle)	26-7/8"	27-1/4"
Width	32"	32"
Length (w/o handle)	25-5/8"	23-1/4"
Weight (complete)	144 lbs.	157 lbs.
Capacity	2,200 lbs.	2,200 lbs.