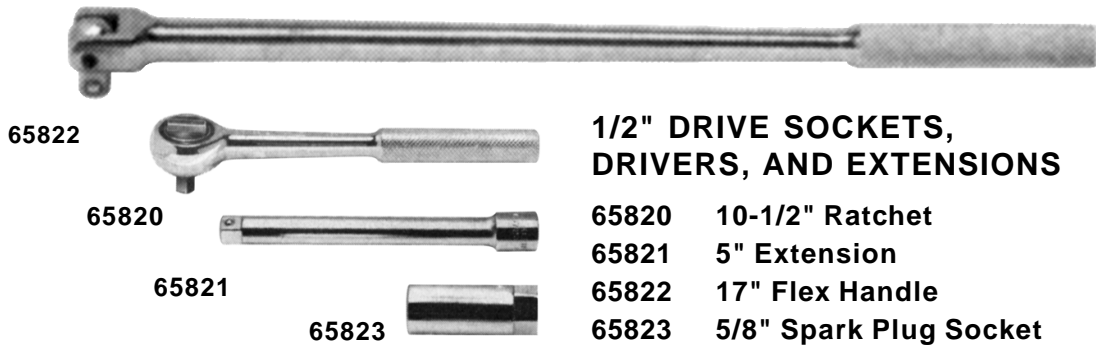




*Tooling solutions for the power utility industry.*



**1/2" DRIVE SOCKETS, DRIVERS, AND EXTENSIONS**

65822

65820

65821

65823

65820 10-1/2" Ratchet

65821 5" Extension

65822 17" Flex Handle

65823 5/8" Spark Plug Socket

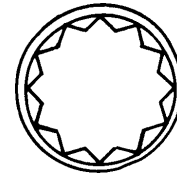
**STANDARD 12-POINT SOCKETS, 1/2-INCH DRIVE**

Size	7/16	1/2	9/16	5/8	11/16	3/4	13/16	7/8	15/16	1	1-1/16	1-1/8	1-1/4
Part	65800	65801	65802	65803	65804	65805	65806	65807	65808	65809	65810	65811	65812

**DEEP 12-POINT SOCKETS, 1/2-INCH DRIVE**

Size	1/2	9/16	5/8	11/16	3/4	13/16	7/8	15/16
Part	65825	65826	65827	65828	65829	65830	65831	65832

12-POINT  
1/2" DRIVE  
SOCKET



**REL-151T - LINEMAN'S WRENCH**

Reliable Equipment's Ratcheting Triple Square Wrench was designed for the three most common fasteners on utility poles, lag bolts, "C" clamps, and suspension bolts with speed and safety.

**Features include:** Bolt thru socket which allows the bolt to pass entirely through so nuts can be tightened down to any threaded length; reversible ratchet mechanism; H/D, lightweight construction; 3-in-1 combination socket (3/4", 1", 1-1/8") with 12" handle and comfortable hand grip. Eliminates the need for multiple wrenches and sockets. ( 2.25 lbs.)



**REL-PSW PENTA SOCKET WRENCH**

The Reliable ReL-PSW is a ratcheting socket wrench designed to tighten or loosen special 5-point penta head nuts and bolts common to most pad mounted transformers. Wt. 1.25 lbs.

**FEATURES INCLUDE:**

- Easy ratcheting action for tight spaces
- Quick change forward & reverse lever
- Supplied standard with Penta Socket on one side, 3/4" 6-point socket on the other (other configurations available)
- Cushion grip



**TO ORDER CALL: 800-966-3530 OR FAX: 215-357-9193**