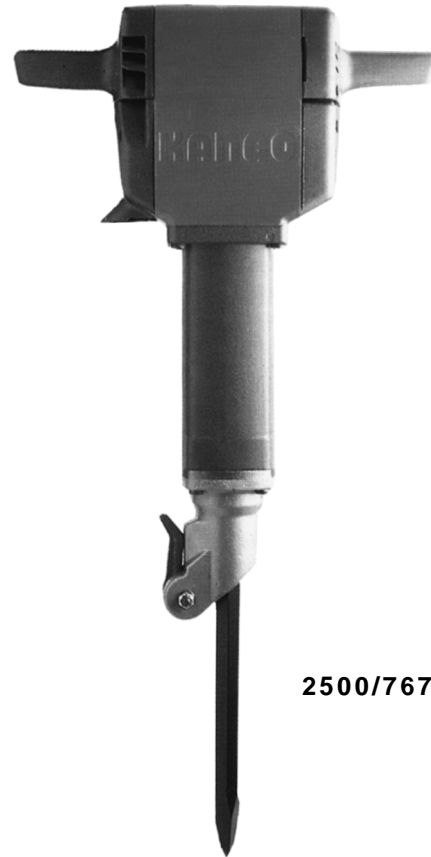




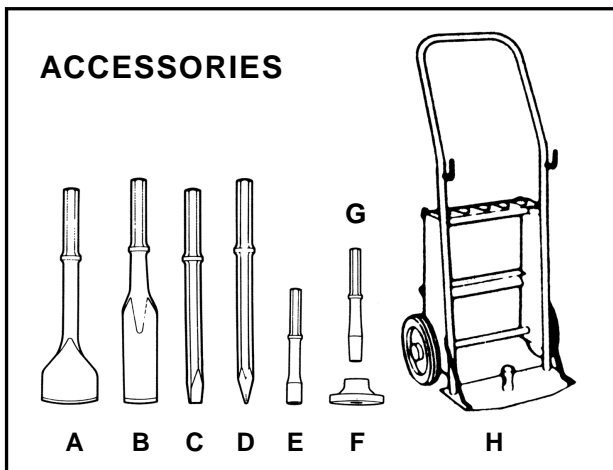
Tooling solutions for the power utility industry.

BIG BREAKER AND ACCESSORIES

The Kango Big Breaker is designed for breaking up foundations and concrete, asphalt cutting, backfilling, tamping and digging heavy clay. The Kango Big Breaker uses standard breaker tools, which are widely available, and can be powered direct from the mains or by a portable generator. Its major benefits are its portability and dust-free operation, which makes it an invaluable tool for use both indoors and outside.



2500/767



A	Asphalt Cutter	5" W	08354	G	Ground Rod Driving Shank	1"	08358
B	Digger-Steel	9" x 3"	08353		Ground Rod Driving		
C	Chisel	15"	08352		Adaptors (Not shown)	5/8" dia.	08363
D	Bull Point	15"	08351			3/4" dia.	08362
E	Tamping - Shank	-	083670			1 1/2" dia.	08360
F	Tamping Pad	7" dia.	083660	H	Caddy	-	083680