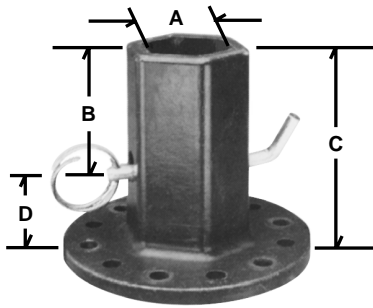
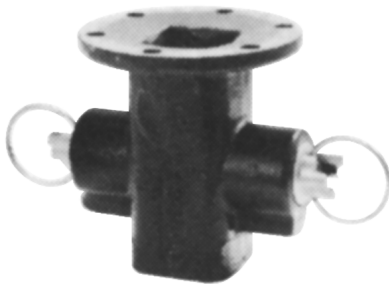




Tooling solutions for the power utility industry.



P630013
Kelly Bar Adapter



C303-0069HD
H/D Locking Dog
Assembly



C102-1583
For 1-3/8" Core
Anchors.



C303-1064
For 1-1/2" Core
Anchors.

Drive-End Wrenches for 1-1/2" core anchors are painted with a yellow band on the ends, to distinguish them from the Drive-End Wrenches for 1-3/8" Core Anchors.

POWER-INSTALLED SCREW ANCHOR TOOLING SYSTEM

(For installing torques up to 10,000 ft.-lb.)

A complete tool system consists of: Kelly Bar Adapter, Torque Indicator, Locking Dog Assembly, and Drive-End Assembly.

Remove the auger from the digger and select the Kelly Bar Adapter by matching the shape of the Kelly Bar along with the "A" dimension (flat to flat on end of Kelly Bar) and the "D" dimension (end of Kelly Bar to center hole for bent arm pin) with the chart provided below.

Transmits Torque to Anchor Core

The wrench transmits torque from the Kelly Bar of the digger to the hub of the Power-Installed Screw Anchor so that the Anchor Rod needs to be only large enough in diameter to support the guy load.

ORDERING DATA

KELLY BAR ADAPTER WITH BENT ARM PIN

Part No.	Bar Shape	Kelly Bar Dimension			
		A	B	C	D
P630017	Square	2-1/2"	1-1/4"	3-1/2"	2-1/4"
P630016	Square	2-1/4"	1-1/4"	3-1/2"	2-1/4"
P630013	Hex	2"	1-1/8"	6-1/8"	5"
P630012HD	Hex	2-5/8"	3-7/8"	8-1/8"	4-1/4"
P630011HD	Hex	2-1/2"	3-7/8"	8-1/8"	4-1/4"

Kelly Bar Adapters have six 1/2" dia. holes on a 5-1/4" bolt circle and include six 1/2" bolts, nuts, lock washers and bent arm pin with coil lock.

LOCKING DOG ASSEMBLY

Cat No.	Description
C303-0069HD	H/D Locking Dog Assembly
C303-0070	Locking Dog Replacement Kit Incl. parts to replace both lock, dogs.

Assembly has six 1/2" holes on 5-1/4" bolt circle and includes six 1/2" grade 5 bolts, nuts and lock washers.

7-FT. DRIVE-END WRENCH

C102-1583	For 1-3/8" Core Anchors. Installs: 8,000 ft.-lb. (small hub) Tough One, 10,000 ft.-lb. (small hub) Tough One, Standard and Mid-Strength Anchors.
C303-1064	For 1-1/2" Core Anchors. Installs: PISA 6 & 7 and 8,000 ft.-lb. (large hub) Tough One Anchors.

TO ORDER CALL: 800-966-3530 OR FAX: 215-357-9193