

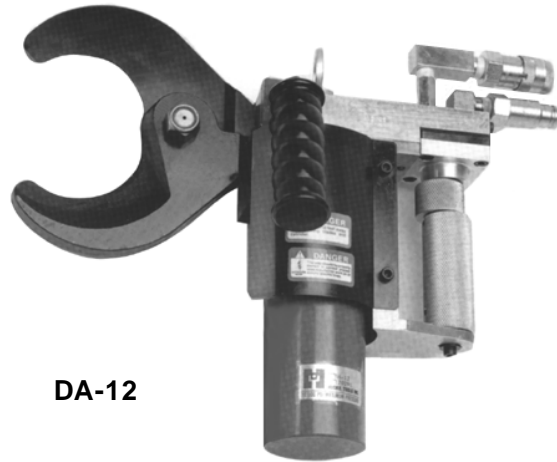


DA-12 - LOW PRESSURE HYDRAULIC 4" CABLE CUTTER

This hydraulic hand-held cable cutter can be operated directly from the utility line truck. At 2,500 psi pressure, it can cut four-inch lead sheath cables as well as 4,200 pair communications cables. A 6 ton cutting force is produced at 2,500 psi pressure. Less than 2,500 psi will reduce the cutting capacity. It operates on open center trucks and comes with HTMA couplers.

The four inch jaws slice through lead, copper, and aluminum cables cleanly and without jamming because of the double acting system. The DA-12 is portable, with non-slip, knurled handles, and a safety ring. It has a positive open and close position and a special built-in safety trigger. It stops when you stop.

See low pressure hose and coupler page for options.



DA-12

Specifications:

Output	6 ton at 2,500 psi
Weight	31 lbs.
Size	15" x 15" x 17"