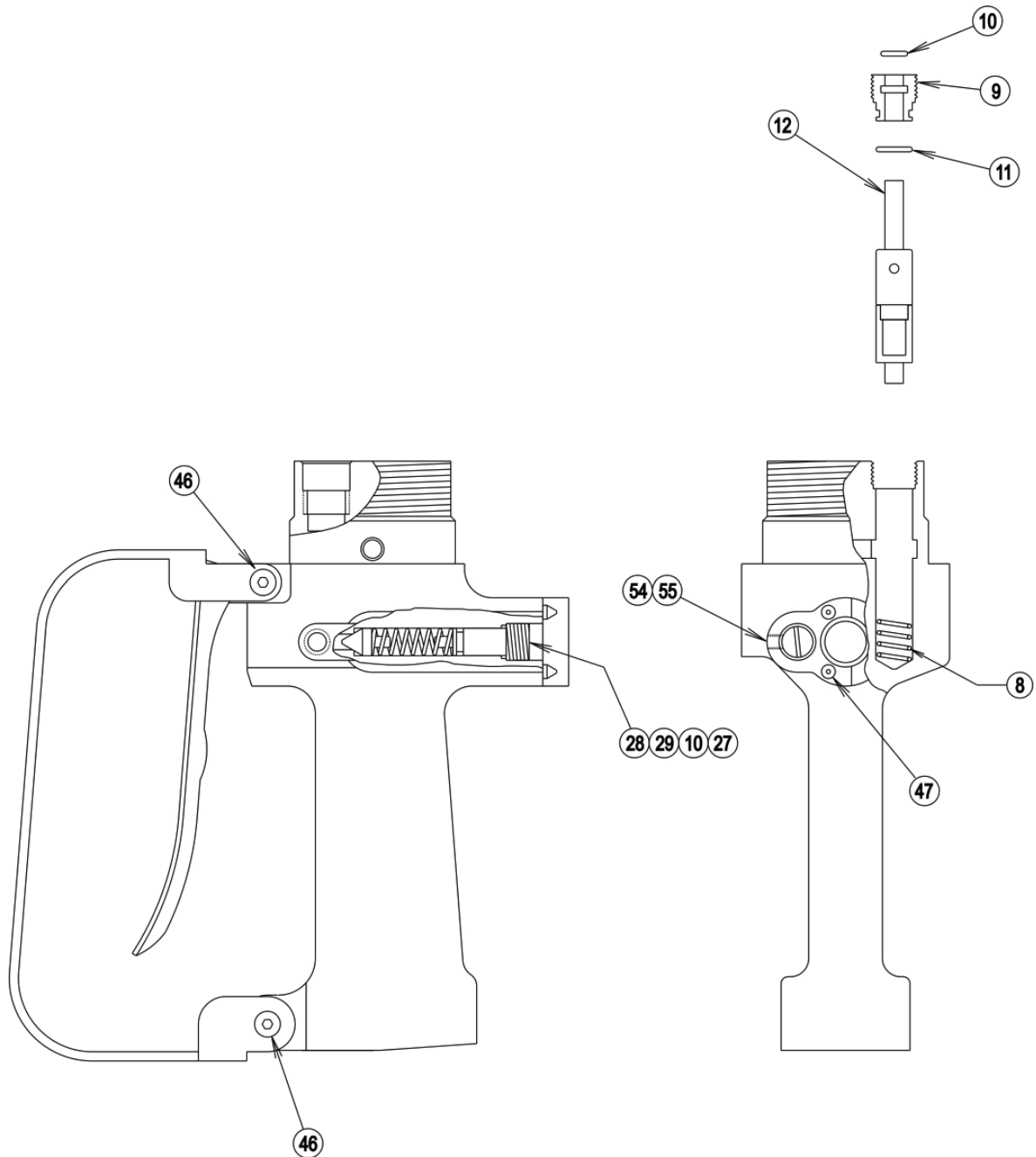


REL-LP-__-B Handle Assembly (B)



**IF YOU HAVE ANY QUESTIONS REGARDING THE PROPER OPERATION
OR MAINTENANCE OF THIS TOOL, CONSULT YOUR AREA SUPERVISOR,
OR CONTACT RELIABLE EQUIPMENT AT 800-966-3530**

REL-LP-__-B PARTS LIST

KEY #	PART #	QTY	DESCRIPTION
1	32001	1	HANDLE
2	32002	1	TRIGGER
3	32003	1	MAIN SPOOL
4	32004	1	PLUG, SPOOL
5	32005	1*	O-RING
6	32006	1*	O-RING
7	32307	1	CENTER TUBE
8	32008	1	SPRING, CHECK ASSY
9	32009	1	CAP, PLUNGER
10	32010	2*	O-RING
11	32011	3*	O-RING
12	32055	1	PLUNGER ASSY
15	R32306	1	HEAD STOP SCREW
16	32016	1	CYLINDER, 12 TON
17	32017	1	LOCKING RING
17A	32042	1	SCREW, LOCKING RIN
17B	32043	1	LOCKING PIN
17C	32044	1	PLASTIC WAFER
18	32018	1	NOSE, 510 STYLE
19	32019	1*	O-RING, CYL NOSE
20	32020	1*	O-RING, NOSE RAM
21	32021	1*	WIPER
22	32022	1*	SEAL, DISK
23	32023	1*	O-RING, PAM
24	32024	1	DISK
25	32025	1	RAM, 12 TON
26	32026	1	CHECK STOP
27	32027	1	ADJUSTING NUT
28	32028	1	PINTLE
29	32029	1	SPRING, REGULATOR
32	13133	1*	O-RING